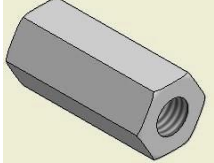
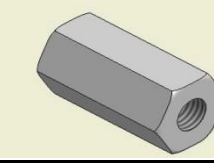
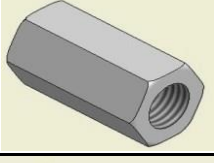
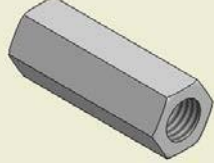
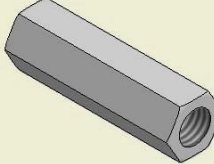
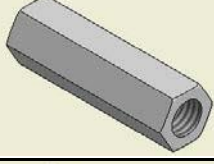
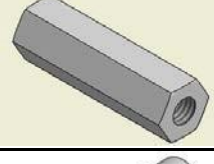


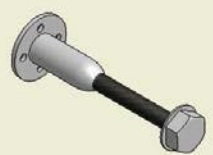



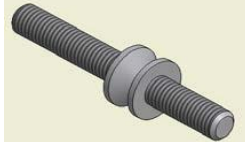
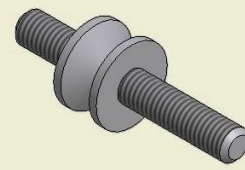
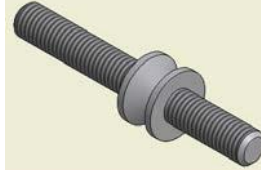
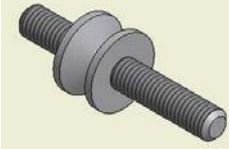
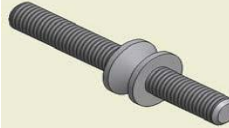
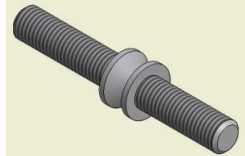
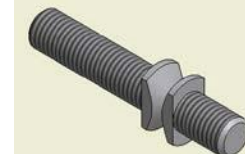
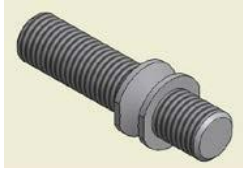
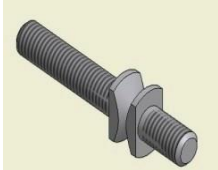
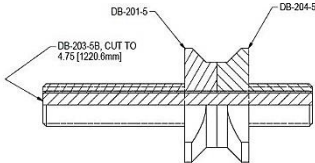
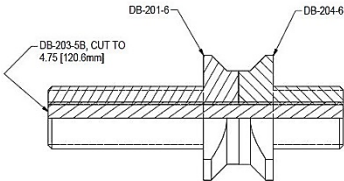
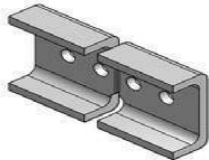
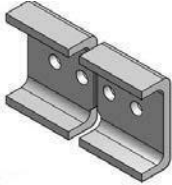
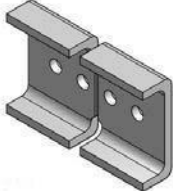
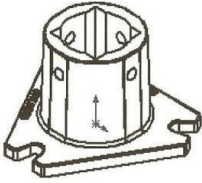
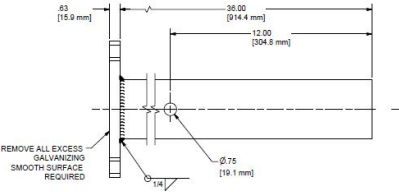
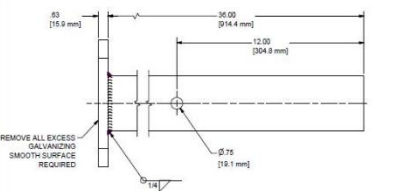
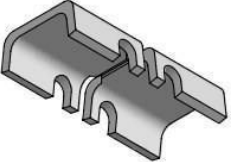
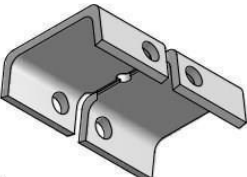
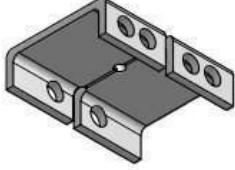
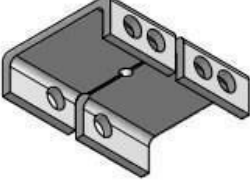


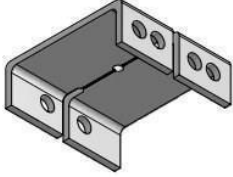
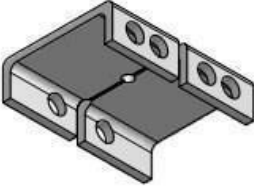
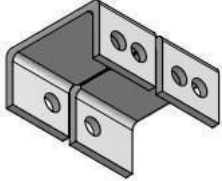
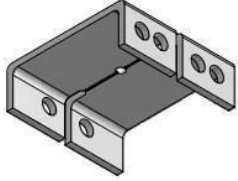
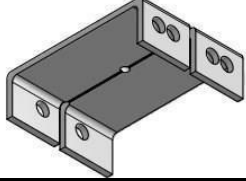

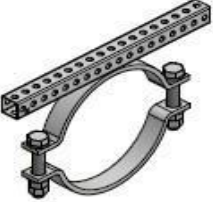
ITEM NUMBER	DESCRIPTION	PICTURE
DB-212	DENT COUPLING FOR GROUND ANCHOR ASSEMBLY 5/8 X 3/4	
DB-213	DENT COUPLING FOR GROUND ANCHOR ASSEMBLY 3/4 X 1	
DB-214	DENT COUPLING FOR GROUND ANCHOR ASSEMBLY 1X1	
DB-215	DENT COUPLING FOR GROUND ANCHOR ASSEMBLY 3/4 X 3/4	
DB-216	DENT COUPLING FOR GROUND ANCHOR ASSEMBLY 5/8 X 5/8	
DB-216-2	DENT COUPLING FOR GROUND ANCHOR ASSEMBLY 1/2 X 5/8	
DB-216-3	DENT COUPLING FOR GROUND ANCHOR ASSEMBLY 1/2 X 1/2	
DB-6291	DENT COUPLING TOP FOR GROUND ANCHOR ASSEMBLY 1/2	
DB-6292	DENT COUPLING TOP FOR GROUND ANCHOR ASSEMBLY 5/8	

ITEM NUMBER	DESCRIPTION	PICTURE
DB-6293	DENT COUPLING TOP FOR GROUND ANCHOR ASSEMBLY 3/4	
DB-6294	DENT COUPLING TOP FOR GROUND ANCHOR ASSEMBLY 1	
DB-6290	DROP IN ANCHOR 1/2 BY 6 INCH	
DB-6231-1	DROP IN ANCHOR 6 INCH FOR DB-6220M DENT BOLT™	
DB-6231-2	DROP IN ANCHOR 10 INCH FOR 6220M, 5/8 INCH DENT BOLT™	
DB-6232-2	DROP IN ANCHOR 10" OR 3/4 FOR 6882M DENT BOLT™ OR NEW DENT CONNECTOR	
DB-6232-3	DROP IN ANCHOR 16" FOR 6882M DENT BOLT™ OR NEW DENT CONNECTOR 3/4 INCH	
DB-6233-1	DROP IN ANCHOR 16 INCH FOR 6884M OR DC-6884M DENT BOLT™ OR NEW DENT CONNECTOR 1 INCH	

DB-6233-2	DROP IN ANCHOR 24 INCH FOR DB-6884M OR DC-6884M DENT BOLT™ OR NEW DENT CONNECTOR 1 INCH	
DB-6874	DENT BOLT™ WITH ½ INCH NC THREADS FOR MATCH PLATES	
DB-6874M	DENT BOLT™ WITH ½ INCH NC THREADS FOR DROP IN ANCHOR OR COUPLING	
DB-6878	DENT BOLT™ WITH 5/8 INCH NC THREADS FOR MATCH PLATES	
DB-6879M	DENT BOLT™ WITH ½ INCH NC THREADS FOR DROP IN ANCHOR OR COUPLING	
DB-6879	DENT BOLT™ WITH ½ INCH NC THREADS FOR MATCH PLATES	
DB-6882	DENT BOLT™ WITH ¾ INCH NC THREADS FOR MATCH PLATES	
DB-6882M	DENT BOLT™ WITH ¾ INCH NC THREADS FOR DROP IN ANCHOR OR COUPLING	

DB-6884	DENT BOLT™ WITH 1 - INCH NC THREADS FOR DROP IN ANCHOR OR COUPLING	
DB6220M	DENT BOLT™ WITH 5/8 INCH NC THREADS FOR DROP IN ANCHOR OR COUPLING	
DC-6882M	DENT BOLT™ WITH 3/4 INCH NC THREADS FOR DROP IN ANCHOR, COUPLING OR MATCH PLATE	
DC-6884M	DENT BOLT™ WITH 1 - INCH NC THREADS FOR DROP IN ANCHOR, COUPLING OR MATCH PLATE	
DB-5035	SMALL POST BREAKAWAY FOR 2 INCH SQUARE TUBE ALSO USED FOR HANDRAIL	
DB-5036	SMALL POST BREAKAWAY FOR 2- 1/4 INCH SQUARE TUBE ALSO USED FOR HANDRAIL	
DB-5037	SMALL POST BREAKAWAY FOR 2- 1/2 INCH SQUARE TUBE ALSO USED FOR HANDRAIL	

<p>DUB 7.5 PART NUMBER 7001</p>	<p>TOP OR BOTTOM CASTING THAT WILL ACCEPT 2-7/8 ÖD ROUND OR 2-1/2" SQUARE TUBE SIGN POST</p>	
<p>DB-6250</p>	<p>TRI-BASE SLIP BASE POST GROUND ANCHOR MATCHES TO DUB-7.5 TYPE CASTING</p>	
<p>DB-6251</p>	<p>TRI-BASE STUB POST GROUND ANCHOR MATCHES TO DUB-7.5 TYPE CASTING</p>	
<p>DB- S3X5.7</p>	<p>FUSE PLATE FOR S 3 X 5.7 I-BEAM TYPE POSTS WHICH MOUNTS IN THE WEB SECTION AND IS OMNI-DIRECTIONAL</p>	
<p>DB- S4 X 7.7</p>	<p>FUSE PLATE FOR S4 X 7.7 I-BEAM TYPE POSTS WHICH MOUNTS IN THE WEB SECTION AND IS OMNI-DIRECTIONAL</p>	
<p>DB-W6 X 9</p>	<p>FUSE PLATE FOR W6 X 9 I-BEAM TYPE POSTS WHICH MOUNTS IN THE WEB SECTION AND IS OMNIDIRECTIONAL</p>	
<p>DB-W6 X 12</p>	<p>FUSE PLATE FOR W6 X 12 I-BEAM TYPE POSTS WHICH MOUNTS IN THE WEB SECTION AND IS OMNI-DIRECTIONAL</p>	

DB-W6 X 16	FUSE PLATE FOR W6 X 16 I-BEAM TYPE POSTS WHICH MOUNTS IN THE WEB SECTION AND IS OMNI-DIRECTIONAL	
DB-W6 X 15	FUSE PLATE FOR W6 X 15 I-BEAM TYPE POSTS WHICH MOUNTS IN THE WEB SECTION AND IS OMNI-DIRECTIONAL	
DB-W8 X 18	FUSE PLATE FOR W8 X 18 I-BEAM TYPE POSTS WHICH MOUNTS IN THE WEB SECTION AND IS OMNI-DIRECTIONAL	
DB-W8 X 21	FUSE PLATE FOR W8 X 21 I-BEAM TYPE POSTS WHICH MOUNTS IN THE WEB SECTION AND IS	
DB-W10 X 22	FUSE PLATE FOR W10 X 22 I-BEAM TYPE POSTS WHICH MOUNTS IN THE WEB SECTION AND IS OMNI-DIRECTIONAL	
PM-200	CABLE MASTER CLAMP	
PM-205-X	HEAVY DUTY SINGLE POLE CLAMP	
PM-205 DOUBLE	HEAVY DUTY DOUBLE POLE CLAMP	